



**MSME TECHNOLOGY CENTRE, MUMBAI**  
**MINISTRY OF MICRO, SMALL AND MEDIUM ENTERPRISES**  
**GOVERNMENT OF INDIA**



# TEST REPORT

## **IDEMI**

प्रौद्योगिकी केंद्र, मुंबई  
MSME- TECHNOLOGY CENTRE , MUMBAI

**INSTITUTE FOR DESIGN OF ELECTRICAL MEASURING INSTRUMENTS MUMBAI**

IDEMI-Eastern Express Highway, Opp. Everard Nagar Bus Stop, Chunabhatti, Sion, Mumbai - 400022  
Tel- 022-24050301/2/3/4 Fax: 022-24050016, Mobile: 9372330934, E-mail- [etl@idemi.org](mailto:etl@idemi.org), Website- [www.idemi.org](http://www.idemi.org)



सत्यमेव जयते

वैद्युतिक मापन उपयंत्र अभिकल्प संस्थान, मुंबई  
INSTITUTE FOR DESIGN OF ELECTRICAL  
MEASURING INSTRUMENTS, MUMBAI  
MSME TECHNOLOGY CENTRE



संदर्भ सं / Ref. No.: WO/FFL/068/24-25

दिनांक 28-02-2025  
Date :

M/s. SPINK CONTROLS.  
303, Siddharth towers, C.H.S.L.,  
G. P. Pai Road, Kopri, Thane (East)  
THANE - 400 603.

Kind Attn : Mr. Vinayak Rangdal

विषय : परीक्षण रिपोर्ट

Sub : Test Report

महोदय,

आपके उपकरणों / अवयवों पर किये हुये परीक्षण रिपोर्ट संख्या ( TR/FFL/098/24-25 ) आपको जानकारी के लिए पत्र के साथ भेज रहे हैं। यदि आपको परीक्षित मदों पर स्पष्टीकरण की कोई आवश्यकता हो तो, कृपया परीक्षण रिपोर्ट जारी करने वाले प्राधिकारी को हमारे संदर्भ संख्या और तारीख का उल्लेख करते हुए, रिपोर्ट प्राप्त होने पर चार सप्ताह के अंदर सम्पर्क करें अथवा लिखें। हम इस पत्र के साथ फीडबैक फॉर्म भेज रहे हैं। कृपया उसे भरके प्रधान निदेशक, वैमाउअसं मुंबई को भेजें।

Dear Sir,


TR/FFL/098/24-25

Test Report No. ( ) of your instruments / components / Equipments are / is enclosed herewith for your information. If you need any clarification on Test Report, please write / contact to Test Report issuing officer quoting our reference number and date within four weeks from the date of receipt of this report. We are also enclosing here with the feedback form. Kindly fill up and send to the Principal Director of IDEMI Mumbai.

धन्यवाद !  
Thanking You,

भवदीय  
Yours Faithfully

संलग्न पत्रानुसार  
Encl. As Above

  
प्रधान निदेशक  
PRINCIPAL DIRECTOR



सत्यमेव जयते

# TEST REPORT



Accreditation Field : Electrical Testing  
 Group : Environmental Test Facility  
 NABL Accreditation No: TC -5538  
 Accreditation Validity : 23/04/2026  
 ULR : TC553824000000035F  
 Work Order No. : WO/FFL/068/24-25  
 Work Order Date : 20/02/2025  
 Test Report No. : TR/FFL/098/24-25  
 Date of Test : 20 & 28/02/2025  
 Page 1 of 4

**Tested Item** : CAPACITANCE TYPE LEVEL TRANSMITTER ENCLOSURE IP67.

**Tested for** : SPINK CONTROLS.  
 303, Siddharth Towers, C.H.S.L,  
 G. P. Pai Road, Kopri, Thane (E),  
 THANE - 400 603.

**Tested at** : I.D.E.M.I MUMBAI

Specification of Item Under Test		Specification of Standards Used
Manufacturer	: Spink Controls	1) KASCO Dust Chamber, Sr. No.015/08/91 along with Analog Vacuum Gauge, Make Fiebig, Model: MFOBP615994, Sr. No: 2112689516 calibration validity up to 06/03/2025  2) Reservoir Tank  Traceability : Standard used for testing are traceable National/International Standards through IDEMI Mumbai.
Condition of Item on receipt	: No Visible Damages	
Model Number	: L-701	
Serial Number	: Not Specified	
Drawing No.	: SC/25/IP67	
Size	: Ø92 X 102mm	

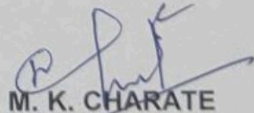
**Ambient Condition:**

Temperature - 26°C

Relative Humidity : 76%

**Remarks :**

- 1) Please refer page 2 of 4 & 3 of 4 for Test Results.
- 2) The above Mentioned item equipment / product is tested for IP67, protection against ingress of Dust & Water (Immersion) as per IS/IEC 60529:A1:1989 + A2:2013 for Enclosure of Category 2. OP - ETL -20.
- 3) This Test Report is valid only for the above mentioned equipment / product, Drg. No: SC/25/IP67 a copy of the Drawing is enclosed.

  
 Mr. M. K. CHARATE  
 TECHNICAL MANAGER  
 AUTHORISED SIGNATORY

Note : This test reports only to the particulars item(s), submitted for testing. The test reports should not be reproduced except in full without the prior permission from the Principal Director, IDEMI, Mumbai. This test report is signed by authorized signatory approved by NABL.

## वैद्युतिक मापन उपयंत्र अभिकल्प संस्थान, मुंबई

INSTITUTE FOR DESIGN OF ELECTRICAL MEASURING INSTRUMENTS, MUMBAI

सूक्ष्म, लघु और मध्यम उद्यम मंत्रालय, भारत सरकार

Ministry of Micro, Small & Medium Enterprises, Govt. of India.

स्वातंत्र्यवीर तात्या टोपे मार्ग, चुनाभट्टी, सायन डाकघर, मुंबई - ४०० ०२२.

Swatantryaveer Tatyta Tope Marg, Chunabhatti, Sion P.O. Mumbai - 400 022





FLUID FLOW LABORATORY

Model No.: L-701	ULR No.: TC553824000000035F
Sr. No.: NOT SPECIFIED	Test Report No.: TR/FFL/098/24-25
Date of Testing: 20 & 28/02/2025	Page No.: 2 of 4

TEST REPORT

Test Result of: Capacitance Type Level Transmitter Enclosure IP-67

1. Test for IP: 6X (Ingress of dust for enclosure of category I)

The Capacitance Type Level Transmitter Enclosure IP-67 was tested for dust ingress as per IS/IEC: 60529:A1:1989+A2:2013 for enclosure of category-II (Test condition clause 13.4 + 13.6). The above mentioned Capacitance Type Level Transmitter Enclosure IP-67 was kept in dust chamber, in normal mounting condition but was not connected to vacuum pump any conduit open were left open during the test. The test was carried out for 8 Hour.

Acceptance Condition

The protection is satisfactory if no deposit of dust is observable inside the enclosure at the end of the test

Observation:

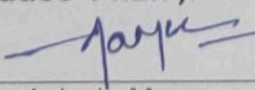
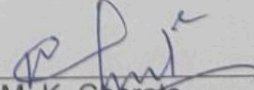
The Capacitance Type Level Transmitter Enclosure IP67 cover lid was opened and was inspected for dust entry. It was observed that there were no traces of dust entry inside the Capacitance Type Level Transmitter Enclosure.

Result

Hence the Capacitance Type Level Transmitter Enclosure IP67 Passed for IP 6X Test.

2. Test for IP X7 (Protection against Immersion)

The Capacitance Type Level Transmitter Enclosure was tested for Immersion of water as per IS/IEC: 60529:A1:1989 + Ed.2.1 2001-02 + A2:2013 (Clause 14.2.7).

 Mr. Ashwin More Lab Technician (IDEMI) Tested By	 Mr. M. K. Charate Technical Manager Checked & Authorized By
---	---



त्यमेव जयते

वैद्युतिक मापन उपयंत्र अभिकल्प संस्थान, मुंबई  
**INSTITUTE FOR DESIGN OF ELECTRICAL  
MEASURING INSTRUMENTS, MUMBAI**



FLUID FLOW LABORATORY	
Model No.: L-701	ULR No.: TC553824000000035F
Sr. No.: NOT SPECIFIED	Test Report No.: TR/FFL/098/24-25
Date of Testing: 20 & 28/02/2025	Page No.: 3 of 4

The above mentioned Capacitance Type Level Transmitter Enclosure IP67 was immersed for 30 minutes in water reservoir in such a way that water level was maintained on Capacitance Type Level Transmitter Enclosure IP67 as per the Standard Test.

**Acceptance Condition:**

If any water has entered it shall not:

- Be sufficient to interfere with correct operation of equipment or impair safety.
- Deposit on insulation parts where it could lead to tracking along the creepage distances.
- Reach live parts or winding not designed to operate when wet.
- Accumulate near the cable end or enter the cable if any.

If the enclosure is provided with drain holes, it should be proved by inspection that any water which enters does not accumulate and that it drains away without doing any harm to the equipment.

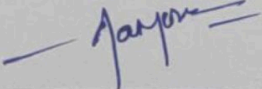
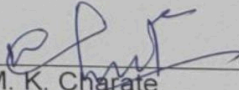
For enclosures without drain holes, the relevant product standard shall specify the acceptance conditions if water can accumulate to reach live parts.

**Observation:**

The Capacitance Type Level Transmitter Enclosure IP67 cover lid was opened and was inspected for water entry. It was observed that there were no traces of water entry inside the Capacitance Type Level Transmitter Enclosure IP67.

**Result**

Hence the Capacitance Type Level Transmitter Enclosure IP67 Passed for IP X7 Test.

 Mr. Ashwin More Lab Technician (IDEMI) Tested By	 Mr. M. K. Charate Technical Manager Checked & Authorized By
---	---

वैद्युतिक मापन उपयंत्र अभिकल्प संस्थान, मुंबई  
INSTITUTE FOR DESIGN OF ELECTRICAL  
MEASURING INSTRUMENTS, MUMBAI



सत्यमेव जयते



FLUID FLOW LABORATORY

Model No.: L-701	ULR No.: TC553824000000035F
Sr. No.: NOT SPECIFIED	Test Report No.: TR/FFL/098/24-25
Date of Testing: 20 & 28/02/2025	Page No.: 4 of 4

Protection against Dust (IPX6)



Protection against Water (IPX7) (Immersion)



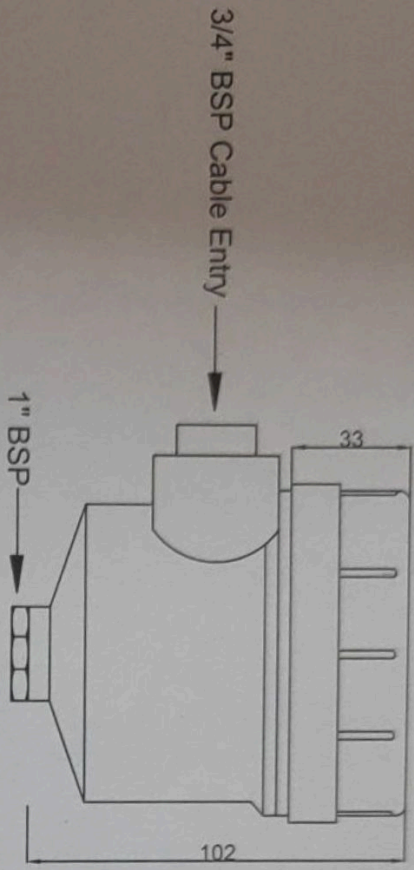
*Ashwin More*

Mr. Ashwin More  
Lab Technician (IDEMI)  
Tested By

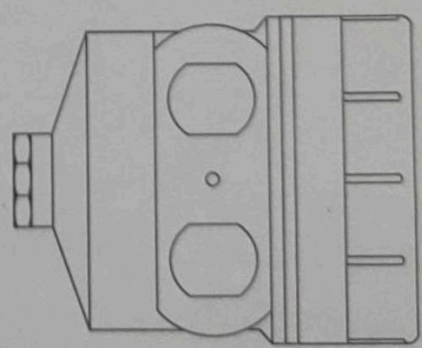
*M. K. Charate*

Mr. M. K. Charate  
Technical Manager  
Checked & Authorized By

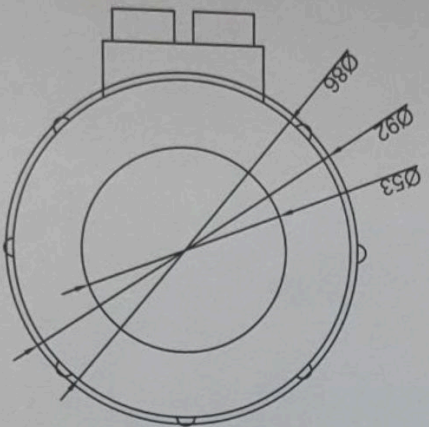
**\*\*\*END OF TEST REPORT\*\*\***



Front View



Side View



Top View

**SPINK CONTROLS, THANE**

Title: CAPACITANTE TYPE LEVEL TRANSMITTER ENCLOSURE FOR IP-67

INSTITUTE FOR DESIGN OF  
ELECTRICAL MEASURING INSTRUMENTS  
(GOVERNMENT OF INDIA SOCIETY)  
Chunabhatti, Sion P.O., Bombay-400 022

DRG	AVR	SCALE	1 : 2	MODEL NO. - L-701
CHKD.	VDR	DATE	19.02.25	SHEET 1 OF 1
APPD.	VDR	REV.	R00	DRG. NO. - SC/25/IP67